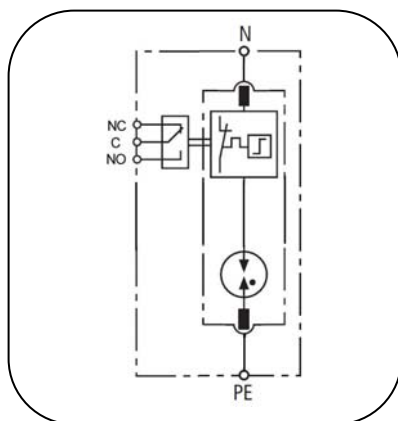
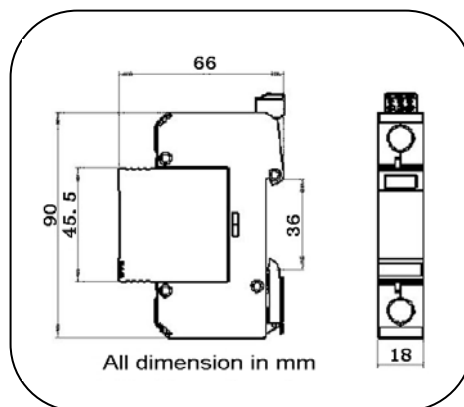


SURGE PROTECTIVE DEVICE – TYPE 1SPD

T50/xxx(-S)



Basic circuit diagram



Dimension drawing

Type 1 surge protective device especially designed for low-voltage power supply system at the boundaries from lightning protection zone 1-2 and higher.

- Type 1CA SPD for N-PE application
- ETL certified surge protector according to UL1449-4th
- Pluggable design with window fault indication
- Nominal discharge current I_n 20kA 8/20 per pole, max discharge current I_{max} 50kA 8/20 per pole
- High reliability with special arc-extinguish device

Part No.	T50/150(-S)	T50/255(-S)	T50/350(-S)	T50/440(-S)
In accordance with	UL1449 4th			
Category IEC/VDE	Type1CA			
Max. continuous operating voltage MCOV	150V	255V	350V	440V
Nominal discharge current(8/20) I_n	20kA			
Max. discharge current(8/20) I_{max}	50kA			
Voltage protection rating @ VPR	<1200V	<1500V	<1800V	<2000V
Response time	≤100 ns			
Operating temperature range	- 40°C ~ + 80°C			
Cross-section of connection wire	Single-strand 35mm ² ; multi-strand 25mm ²			
Mounting	35mm DIN-rail in accordance with EN 50022/DIN46277-3			
Enclosure material	thermoplastic; extinguishing degree UL94 V-0			
Degree of protection	IP20			
Installation width	1 module, DIN 43880			
Thermal disconnect	Internal green – normal ; red - failure			
Remote alarm contact	Optional			
Approvals, Certifications	ETL/CE			
Additional data for Remote Alarm Contacts				
Remote alarm contact type	Isolated Form C			
Switching capability U_n/I_n	AC: 250V/0.5A		DC: 250V/0.1A; 125V/0.2A; 75V/0.5A	
Max. Size of connecting wire	Max. 1.5mm ² (or # 16AWG)			