

TECHNICAL DATA SHEET

LPI® Bluetooth Range of Surge Filters

Features



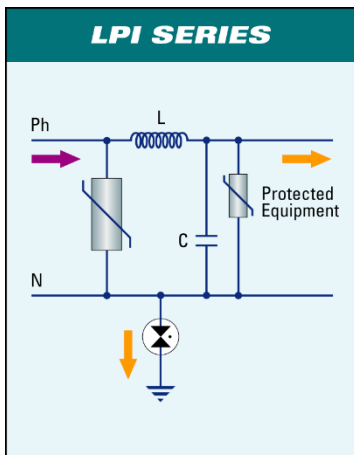
- High performance surge protector for an operating voltage of 220-277 Vac
- SSTB150 technology for primary and secondary protection 32 A- 125 A (1 Ph & 3 Ph)
- Encapsulated spark gap and SSTB150 technology capable of operation under fault/overvoltage conditions up to 480 Vrms for 200 A filter and above
- Three stage protection provides highest level of protection for sensitive electronic equipment

Product Description

- Designed to suit TT, TN-C, TN-S & TN-C-S distribution systems
- Inductors – dv/dt and di/dt of the incoming surge will be reduced by 1000 times
- 32 – 125 A filters primary (150 kA 8/20 µs) and secondary (50 kA 8/20 µs)
- 200 – 630 A filters primary (50 kA 10/350 µs, 135 kA 8/20 µs) and secondary (50 kA 8/20 µs) surge protection. (NOTE: For 800 A and above, primary protection is 110 kA 10/350 µs.)
- High N-E protection rating– 100 kA 10/350 µs, 150 kA 8/20 µs
- LED Indication, remote alarm contacts, MOV status indication.

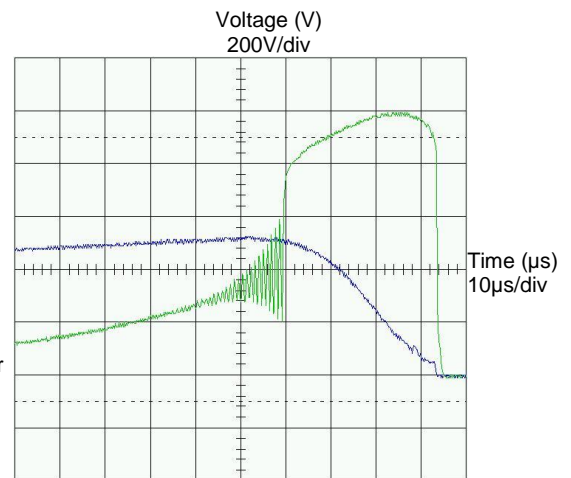
Electronic equipment is highly susceptible to damage from lightning and other transient pulses (including man made switching transients), which arrive via the powerlines through direct strike, or inductive and capacitive coupling.

The LPI Bluetooth series surge filter provides multiple stage protection against incoming surges & transients. Shunt-only clamping alone is not sufficient, as it does not limit the excessive wavefront characteristic of the pre-clamped waveform. The LPI surge filter will reduce the rate of rise of voltage (dv/dt) to below 15 V/µs as per AS1768 Cat B 3 kA (8/20 µs) applied impulse and to below 30 V/µs for AS 1768 Cat C 20 kA (8/20 µs) applied impulse.



- Low let-through voltage
- Wavefront slowed (low)
- Energy diverted and filtered
- Poor power conditions
- Based on load current
- Vital for sensitive electronics
- Fine protection
- Common & differential mode

Green: Shunt Protector
Blue: Series Filter



TECHNICAL DATA SHEET

LPI® Bluetooth Range of Surge Filters 32-125 A (Single and Three Phase)

Technical Specifications

Description	LPI® Bluetooth Range of Surge Filters 32-125 A (Single and Three Phase)
Nominal Operating Voltage U_n :	220 – 240 V AC P-N @ 50/60 Hz 220 - 277
Max Continuous Operating Voltages U_c :	385 Vrms 480 Vrms
Operating Time:	< 1 ns
Power Distribution Systems:	TT, TN-S, TN-C, TN-C-S (MEN)
Primary Surge Protection Rating P-N:	Configurable 100 kA 8/20 μ s single-shot rating replaceable modules* ¹
Secondary Surge Protection Rating P-N:	Configurable 50 kA 8/20 μ s single-shot rating replaceable modules* ²
N-E Protection:	100 kA 10/350 μ s I_{imp} Class 1 to IEC 61643-11 255 V rms or 150 kA 8/20 μ s I_{max}
Protection Modes:	Transverse and common mode
Inductor:	Non-saturating, low pass, power and noise filtering
Capacitor Type:	Separately-fused, self-healing, X-grade rating at high voltage ratings
Surge Counter :	Build-in memory retained surge counter displayed via LPI SPD App
Efficiency:	99 %
Overload / Short Circuit Protection:	In-line circuit breaker, for 32 A, 40 A and 63 A only
Performance:	Typical let-through voltage < 700 V
Filter 3 dB Point:	Approximately 4000 Hz
Standards (Primary and Secondary) :	Meets requirements of IEC 61643-11 and UL1449 Ed 3
Standards (N-E):	Meets requirements of IEC 61643-11
Surge Withstand:	ANSI/IEEE C62.41, AS/NZS 1768 Cat. A, B and C surge tests
Protection Status Indication:	Bluetooth connectivity on status of MOV, surge counts, voltage and temperature. LED Status and voltage-free change-over contact output
Environmental Rating:	IP 66
Enclosure:	Metal enclosure with durable powder coat finish
Colour:	Grey
Mounting:	Wall mount
Operating Temperatures:	-20 to +40 °C, 0 – 95 % humidity
Conductor Size:	Accepts up to 35 mm ² (M8 Studs)
Warranty:	5 years manufacturer's warranty

*1 Configurable 50, 100, 150 or 200 kA 8/20 μ s

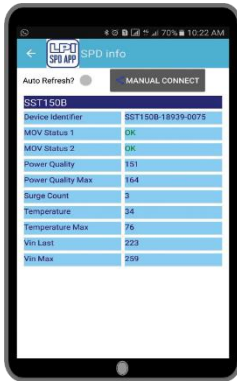
*2 Configurable 50 or 100 kA 8/20 μ s

TECHNICAL DATA SHEET

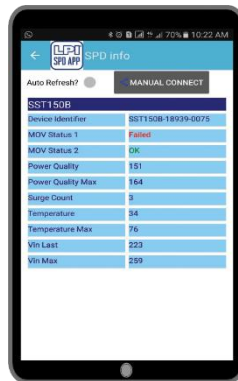
Installation & Maintenance for Surge Filters

All installation work *must* be carried out by licensed electrical personnel.

The power *must* be disconnected. Ensure no dangerous neutral to earth voltages exist prior to commencing installation work.



Operational



Replace as protection is reduced

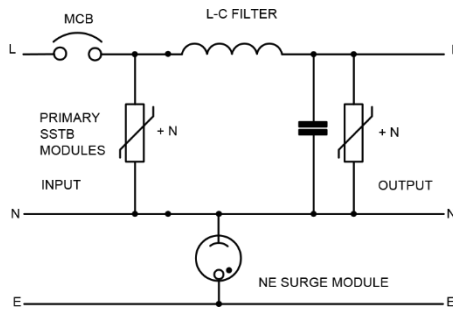


Replace as no protection is left

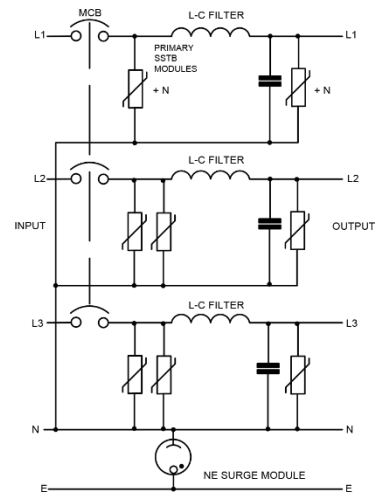
1. The surge filter should be installed as close as practical to the power distribution panel. Filters rated at 315 A and above are fitted with two mounting rails to assist with mounting the unit to the wall.
2. The input and output power cables that connect to the surge filter must have a current rating at least equal to that of the unit being installed.
3. All cables are routed through the bottom of the cabinet. Suitable cable glands should be fitted to the gland plates. All connection points are clearly labelled on the backplane.
4. Connect the input and output power lines as illustrated in figure 4 and figure 5. Input cables are considered "dirty" and must be physically separate by at least 300 mm from the "clean" output cables. This will prevent any over voltage carried by the incoming cables from being induced onto the outgoing or "clean" cables.
5. The earthing impedance of the electrical system should be less than 10 Ω , with 5 Ω recommended.
6. Connect the earth terminal on the surge filter unit to the nearest electrical main earth using the shortest possible route. Earthing cable should be a minimum of 16 mm² with 25 mm² recommended.
7. All connections must be rechecked to confirm that they are securely connected.
8. Connect power to the surge filter and confirm that power is being delivered to the load and that all status indicators are green. The surge filter is in series with the load and turning off the filter's internal circuit protection will disconnect power to the load.

TECHNICAL DATA SHEET

- 32 A, 40 A and 63 A with MCCB built in
- 125 A and above no MCCB



Schematic of 1 Ø surge filter



Schematic of 3 Ø surge filter

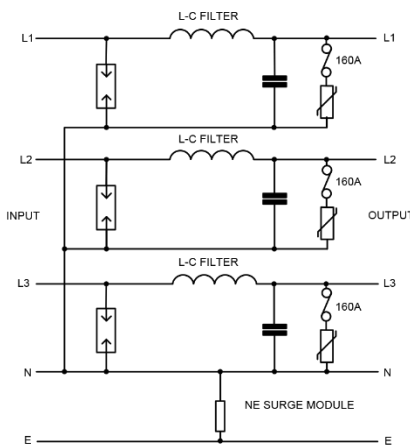


Figure 4

Schematic of 3 Ø surge filter (400 A and below, no 160 A fuse on filters below 125A)

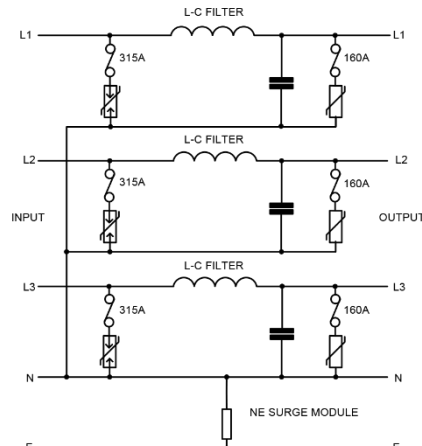


Figure 5

Schematic of 3 Ø surge filter (above 400 A)

Maintenance

1. Use LPI Bluetooth connectivity to check the status of all modules.
2. **Do not** perform maintenance work until power to the surge filter has been disconnected.
3. All surge protection devices will degrade and must be replaced at the end of their life cycle. The frequency of replacement is subject to the magnitude and number of incident surges applied to the device – therefore status indication is very important.

All filters are supplied with cable ties securing SST150B modules for transport purposes only. Remove all cable ties when installing.

TECHNICAL DATA SHEET

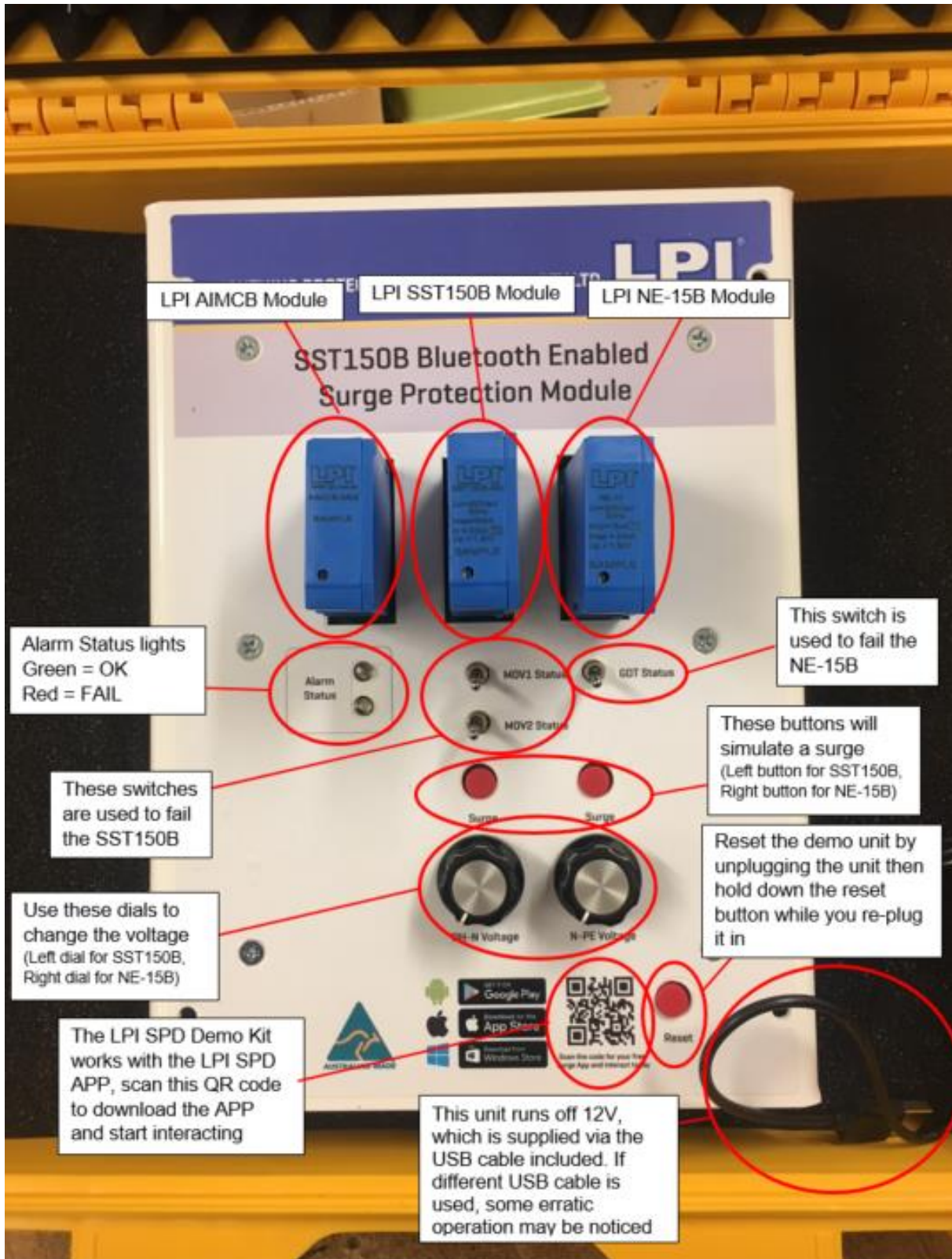
User Guide for LPI® Bluetooth SPD Demo Kit

1. Remove unit from case and ensure that SST150B and NE15B modules are seated correctly in the demonstration panel.
2. The demonstration panel comes complete with USB power cable to boost voltage, using a different cable will result in erratic operation.
3. The SPD modules in this demonstration kit are specifically designed for use with this demonstration panel only. The SPDs should not be sold as a finished product nor should finished product be swapped out for us with demonstration unit.
4. To reset information within the SST150B and NE15B, disconnect power and wait several seconds, while holding down the reset button reconnect power allowing 5 seconds and then release reset button. All values in both SST150B and NE15B will be zeroed out. **(this is not a feature of the production units)**
5. While the update of information is instant via the SPD APP, a time delay will be witnessed between failure activation and alarm trip on the demonstration panel. This is normal, the AIM module poles the connected units every 30secs to confirm failure to ensure nuisance tripping is eliminated.
6. The system uses a common alarm output so when a fault has been activated, subsequent faults will be indicated by red flashing LEDs on effected units.
7. Ensure SPD app is downloaded and is working on desired device.
8. Ensure Bluetooth is enabled on your device.
9. Ensure that both SST150B and NE15B have been reset.
10. On occasions the SPD app may become non-responsive or time out, to overcome this force quite the application to shut it down and then re-load.

The purpose of this demonstration is to show the Bluetooth capability of the SPD modules via interaction with the demonstration panel and the SPD app.

Contact LPI or local distributor for demonstration instructions for the SSTB150 Demo Kit.

TECHNICAL DATA SHEET



Head Office | 49 Patriarch Drive, Huntingfield Tasmania, Australia 7055
 Postal | PO Box 379 Kingston, Tasmania, Australia 7051
 Web | www.lpi.com.au

Phone | + 61 3 6281 2475
 Facsimile | + 61 3 6229 1900
 Email | info@lpi.com.au