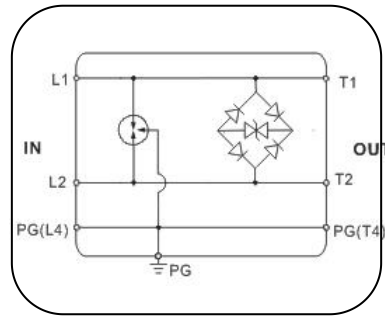
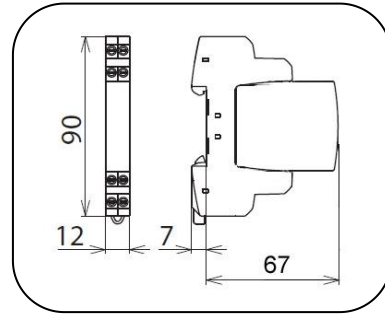


Pluggable Dataline Protector

DM-.../M2N6



Basic circuit diagram



Dimension drawing

PROSURGE DM-.../M2N6 dataline protectors provide surge protection for balanced 1-pair or 2 floating signal lines in the measuring and controlling system, especially for resistance sensitive circuit, suitable for use in category location B, C (ANSI/IEEE C62.41) or directly at the upstream near the protected devices.

Technical Features

- UL listed dataline protector per UL 497B standard
- Pluggable surge protection for DIN Rail mounting
- Signal transmission is not interrupted when exchanging module
- Two-stage protection circuit, limit the transients with gas discharge tubes and transzorb diodes
- Rated load current up to 2A
- No serial resistance
- Earth possible on DIN Rail
- Suitable to use for measuring and controlling system, like thermocouples (PT100 devices). And low voltage alarm circuits such as fire or security etc.
- Comply with UL497, and IEC61643-21:2012,category D1/C1/C2/C3

Type	DM-XX/M2N6				
	5	12	24	48	
In accordance with	UL497b; IEC 61643-21:2012				
Nominal voltage (Vdc)	Un	5	12	24	48
Max. continuous operating voltage (Vdc/Vac)	Uc	6/4.2	15/10.6	33/23.3	54/38.1
C2 Nominal discharge current(8/20µs) per line	In	L-L:300A, L-G:10kA			
C2 Max. discharge Current (8/20µs) per line	Imax	L-L:500A, L-G:20kA			
D1 Lightning impulse current (10/350µs) per line	Iimp	2.5kA			
Voltage protection level (V)	L-L@In,C2 (8/20µs)Up	≤30	≤45	≤55	≤100
	L-PG@In,C2 (8/20µs)Up	≤500	≤500	≤500	≤500
	L-L@C3 (1KV/µs)Up	≤24	≤38	≤48	≤75
	L-PG@C3 (1KV/µs)Up	≤600	≤600	≤600	≤600
Nominal Current (A)	IL	2 A			
Cut-off frequency (Hz)	fG	100 MHz			
Series impedance per line (Ohm)		0 Ohm			
Protection line		1 pair or double wires			
Mounting		35mm DIN-rail in accordance with EN 50022/DIN46277-3			
Type of connection IN/OUT		screw/screw			
Dimensions (mm)		90 X 12 X 74			
Operating temperature range		- 40°C ~ + 85°C			
Housing Material		Thermoplastic, extinguishing degree,UL49 V-0			